

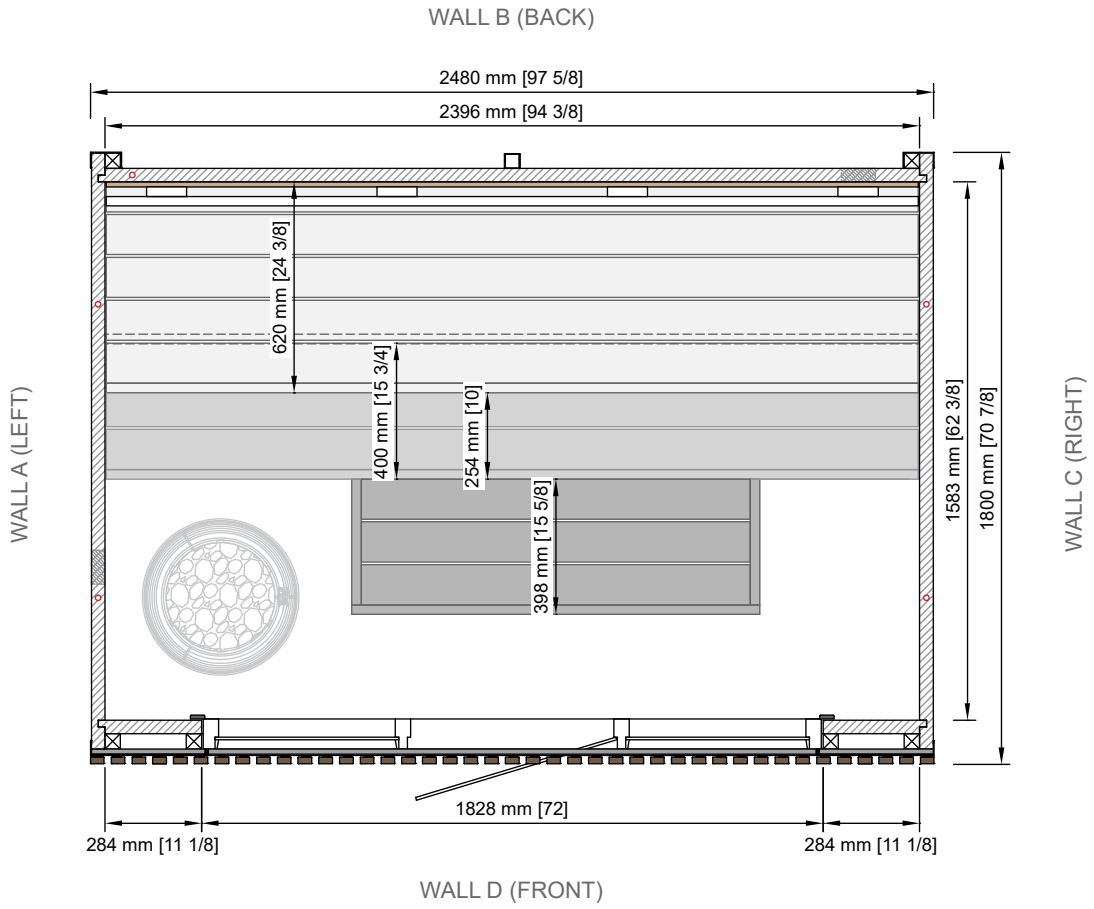


V070426

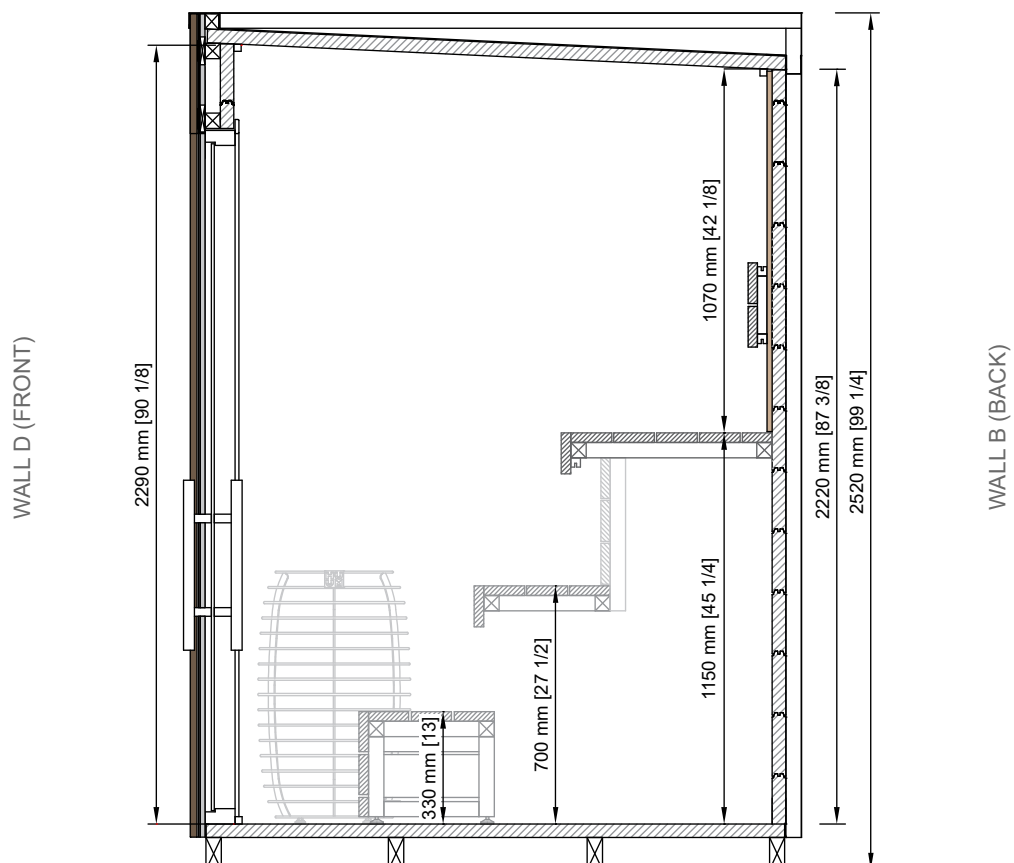
All wooden components are supplied unfinished and unprotected. A suitable finishing coat must be applied to all interior and exterior wooden surfaces immediately after installation.

Read the manual and check the parts for completeness before assembly!
Images are illustrative and may differ from reality, the construction principle is the same.




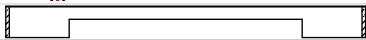

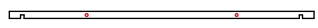


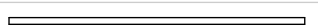






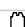
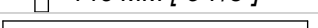

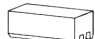
Layout Plan:



Cross Section:





DETAILS LIST - Wall Logs:

Marking	Detail	Note	Length mm	Length in	Pcs.
001	40x188 [1 5/8"x7 3/8"] Wall Log		2436	95 7/8"	11+1*
001A	40x148 [1 5/8"x5 7/8"] Wall Log	 148 MM [5 7/8"]	2436	95 7/8"	1
001B	40x98 [1 5/8"x3 7/8"] Wall Log	 98 MM [3 7/8"]	2436	95 7/8"	1
001C	40x188 [1 5/8"x7 3/8"] Wall Log		2436	95 7/8"	1
001D	40x174 [1 5/8"x6 7/8"] Wall Log	 174 MM [6 7/8"]	2436	95 7/8"	1
002	40x188 [1 5/8"x7 3/8"] Wall Log		1753	69"	24+1*
002A	40x96 [1 5/8"x3 3/4"] Wall Log	 96 MM [3 3/4"]	1753	69"	2
002B	40x174 [1 5/8"x6 7/8"] Wall Log	 174 MM [6 7/8"]	1753	69"	2
005	40x188 [1 5/8"x7 3/8"] Wall Log		1702	67"	23+1*
005A	40x127 [1 5/8"x5"] Wall Log	 127 MM [5"]	1702	67"	2
005B	40x115 [1 5/8"x4 1/2"] Wall Log	 115 MM [4 1/2"]	1702	67"	2
005C	40x188 [1 5/8"x7 3/8"] Wall Log	drain opening 	1702	67"	1
003	40x188 [1 5/8"x7 3/8"] Wall Log		304	12"	10
003A	40x148 [1 5/8"x5 7/8"] Wall Log	 148 MM [5 7/8"]	304	12"	1
004	40x188 [1 5/8"x7 3/8"] Wall Log		304	12"	9
004A	40x148 [1 5/8"x5 7/8"] Wall Log	 148 MM [5 7/8"]	304	12"	1
006	40x127 [1 5/8"x5"] Wall Log		1753	69"	2
007	40x46 [1 5/8"x1 3/4"] Wall Log	 46 MM [1 3/4"] ; 3°	2314	91 1/8"	1
	Hitting Block				2

Base Frame:

AR-1	45X95 [1 3/4"x3 3/4"] Base Frame	Black	2466	97 1/8"	4
------	----------------------------------	-------	------	---------	---

Facade:

P-1	45x45 [1 3/4"x1 3/4"] Vertical Post		2296	90 3/8"	6
P-2	45x45 [1 3/4"x1 3/4"] Horiz. Post		1823	71 3/4"	2
	20x40 [3/4"x1 5/8"] Deco. Slats		2422	95 3/8"	12+2*
	20x40 [3/4"x1 5/8"] Deco. Slats		353	13 7/8"	29+1*
	Facade Panel: LEFT & RIGHT	<i>with fixing clips for 20x40 slats</i>	341 x 2422	13 3/8" x 95 3/8"	2
	Facade Panel: CENTER		1798 x 352	70 3/4" x 13 7/8"	1

Moldings:

DI-0	21x21[7/8"] Ceiling/Floor Molding	<i>Cut to fit!</i>	2100	82 5/8"	8
UL-1	12x42 [1/2"x1 5/8"] Door Molding	<i>Cut to fit!</i>	2200	86 5/8"	3

Doors / Windows:

U-1	Window + Glass Door + Window	<i>supplied in three parts</i>	1818x2040	71 5/8" x 80 3/8"	1
	Door handle				1
	6x70 Screws and Cover Caps				8
	Metal Threshold Cover		88x690	3 1/2" x 27 1/8"	1

* Spare parts included for replacement in case of damage or missing components.





DETAILS LIST - Sauna Benches:

	Top Bench		620 x 2388	24 3/8" x 94"	1
	Bottom Bench		400 x 2388	15 3/4" x 94"	1
	Bench Skirt		450 x 2388	17 3/4" x 94"	1
	Backrest		244 x 2388	9 5/8" x 94"	1
	Step Bench		400 x 1200	15 3/4" x 47 1/4"	1
	Vertical Support 42x42 [1 5/8"x1 5/8"]	<i>with adjustable leg</i>	1000	39 3/8"	1
	Horizontal Support 45x45 [1 3/4"x1 3/4"]				1

Sauna L- Benches (only if ordered additionally):

	Top Bench		620 x 2388	24 3/8" x 94"	1
	Bottom Bench		400 x 2388	15 3/4" x 94"	1
	Bench Skirt		450 x 2388	17 3/4" x 94"	1
	Top L- Bench		650 x 933	25 5/8" x 36 3/4"	1
	Bottom L- Bench		902 x 679	35 1/2" x 26 3/4"	1
	Backrest 1		244 x 2388	9 5/8" x 94"	1
	Backrest 2		244 x 1482	9 5/8" x 58 3/8"	1
	Step Bench		400 x 800	15 3/4" x 31 1/2"	1
	Side Panel		902 x 1101	35 1/2" x 43 3/8"	1
	Vertical Support 42x42 [1 5/8"x1 5/8"]	<i>with adjustable leg</i>	1000	39 3/8"	1
	Horizontal Support 45x45 [1 3/4"x1 3/4"]				1

Roof Covering:

	EPDM Rubber Roof Cover		2900x1900	114 1/8" x 74 3/4"	1
	Roof & Back Corner Cover Sheet		91x46x2550	3 5/8"x1 3/4"x100 8/8"	3+1*
	Roof Side Cover Sheets		91x46x2000	3 5/8"x1 3/4"x78 3/4"	2
	Front Corner Cover Sheet		10x46x2422	3/8" x 1 3/4" x 95 3/8"	2
	Roof Rainwater Gutter		44x55x2450	1 3/4" x 2 1/8" x 96 1/2"	1
	Base Frame Cover Sheet		40x2390	1 5/8" x 94 1/8"	2
	Rainwater Pipe - Bottom		43x38x2246	1 3/4" x 1 1/2" x 88 3/8"	1
	Rainwater Pipe - Top		46x41x2246	1 3/4" x 1 5/8" x 88 3/8"	1

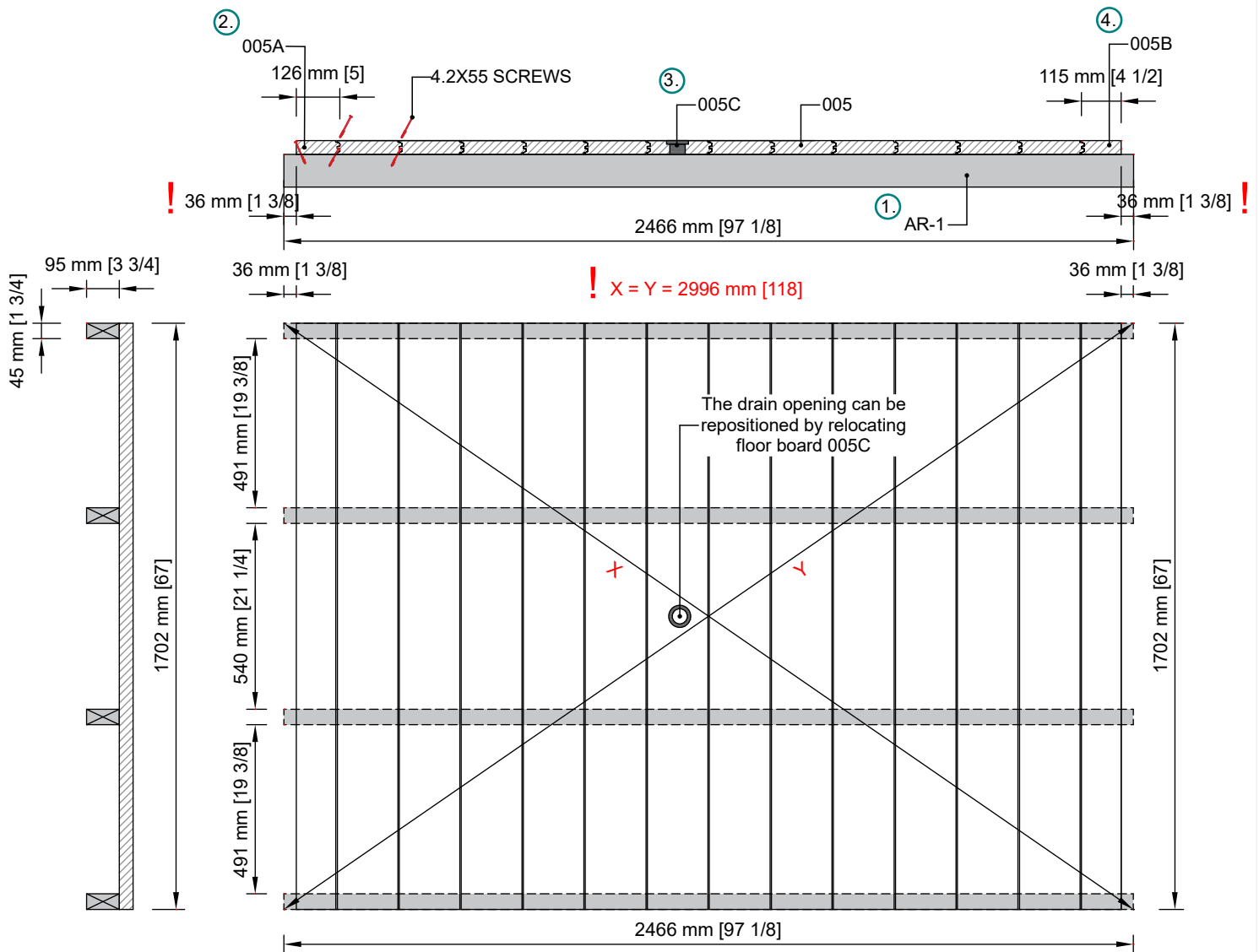
Optional Extras (only if ordered additionally):

	Decorative Back Wall Panel		2388 x 1060	94" x 41 3/4"	1
	LED Lighting Set 3	<i>for top bench and backrest</i>			1

DETAILS LIST - Fasteners and Accesories:

EPDM Quickprime		0,125 L	0,125 L	1
EPDM Glue		2,5 L	2,5 L	1
Splice Tape		2,4 m	2,4 m	1
Paint Roller + Handle				1
Transparent Silicone	<i>between each wall-log row</i>			4
Gunfoam	<i>for sealing windows and doors</i>			1
Rubber Sealing Strip	<i>between walls and ceiling</i>	12 m	472 1/2"	1
Moisture Barrier Tape	<i>for exposed wall-log end grains</i>	10 m	393 3/4"	1
Screw 4.5x70				400
Screw 4.2x55				70
Screw 6x180				15
Screw 3.5x50	<i>for fixing backrests</i>			10
Screw 4x40	<i>Black</i>			25
Roofing Sheet Screw 4.8x25	<i>Black</i>			50
Wronic Screw 4.2x25				15
Headless Nail 40 mm				100
Ventilation Grid Ø100 [3 7/8"]	<i>Black</i>			5
Ventilation Valve Ø100 [3 7/8"]	<i>Wood</i>			1
Drainage Siphon	<i>for 005C floor board</i>			1
Black Paint	<i>RAL 9005</i>	0,9 L	0,9 L	1
Sanding Pad				1
Würth MS Polymer Glue	<i>for fixing metal covers</i>	290 ml	290 ml	1

Base Frame and Floor Boards:



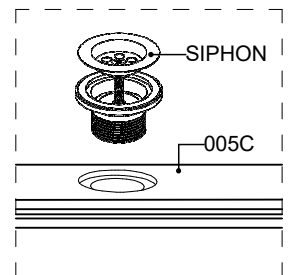
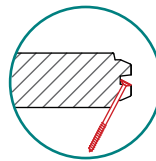
Place floor boards with the better-looking side facing up.

Fasten using 4.2 x 55 mm screws (hidden installation).

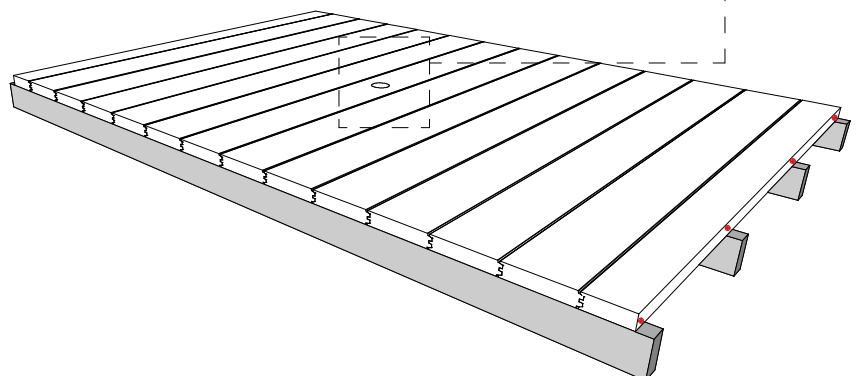
Attach the drain siphon to floor board 005 before installing it in desired location.

Cut the last board to fit, if needed.

Leave 36 mm [1 3/8"] of base frame beam exposed at both ends.



3D View:



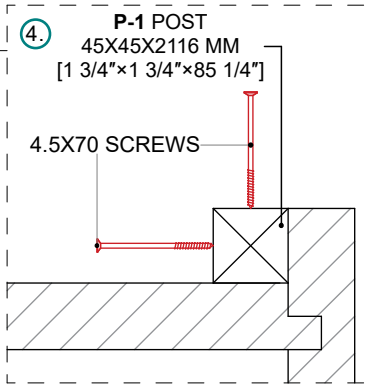
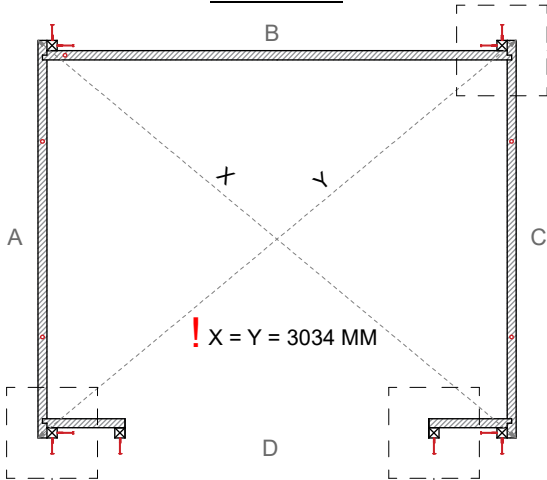
- installation sequence

Required Tools:



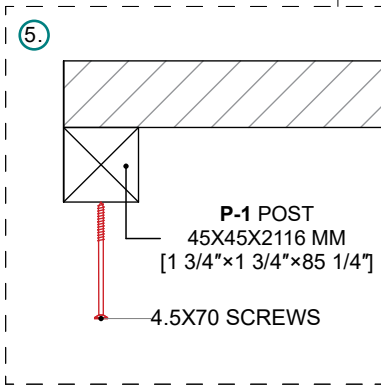
Wall Assembly:

TOP VIEW:

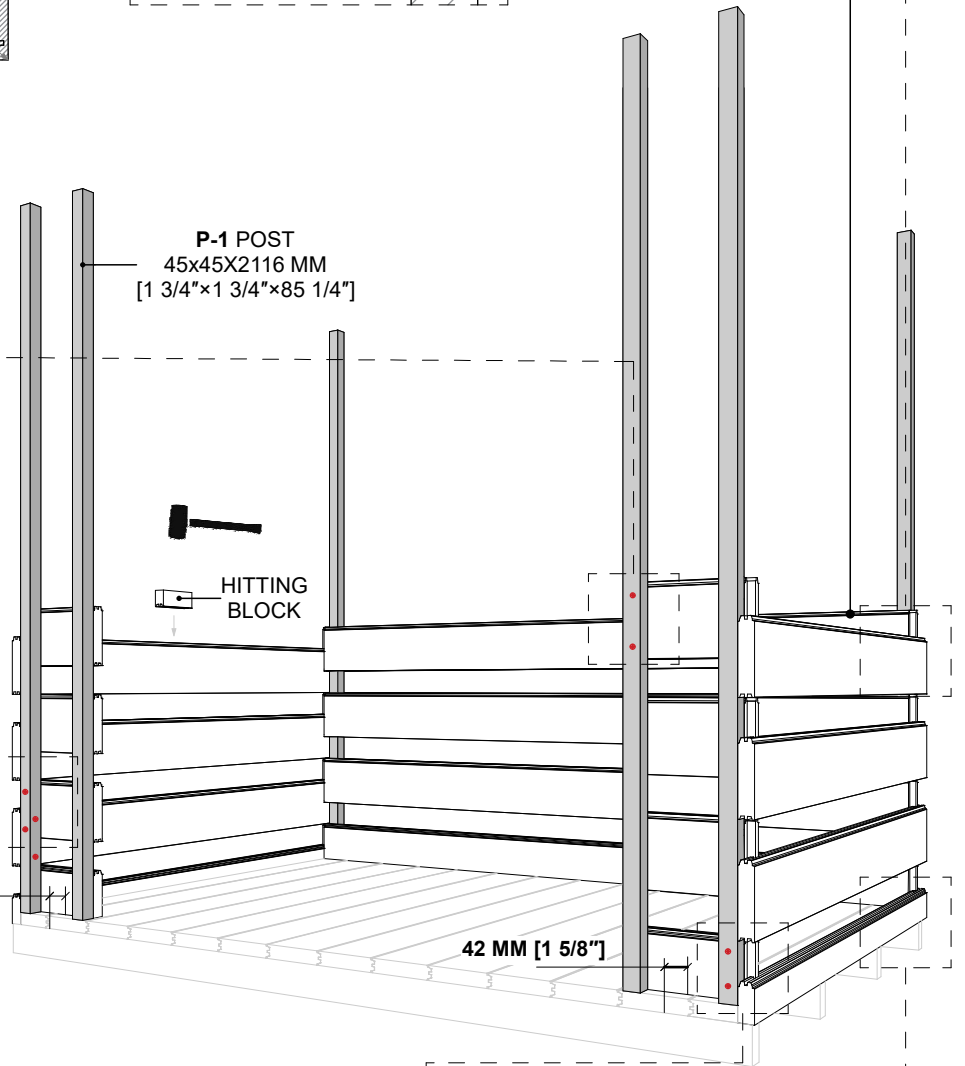
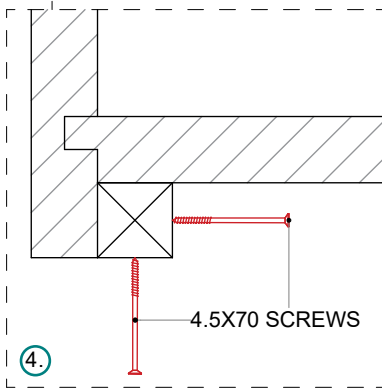


③ ! APPLY SILICONE BETWEEN EACH WALL-LOG ROW FOR WATERPROOFING

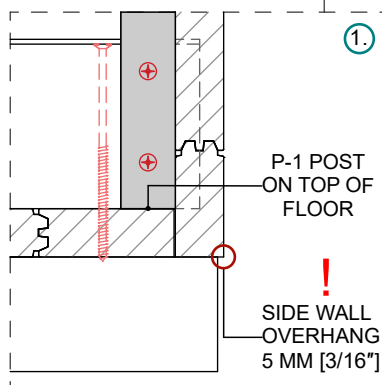
TOP VIEW:



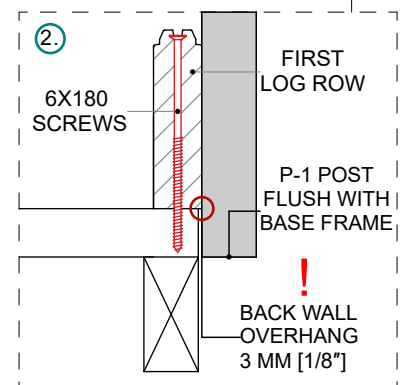
TOP VIEW:



FRONT VIEW:

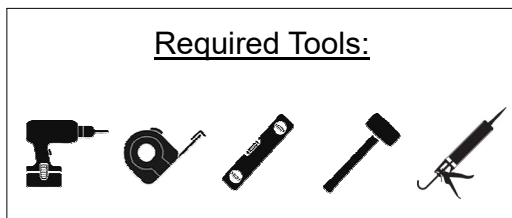


SIDE VIEW:

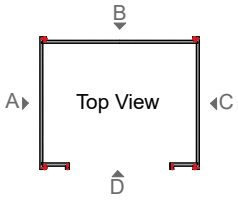


① - installation sequence

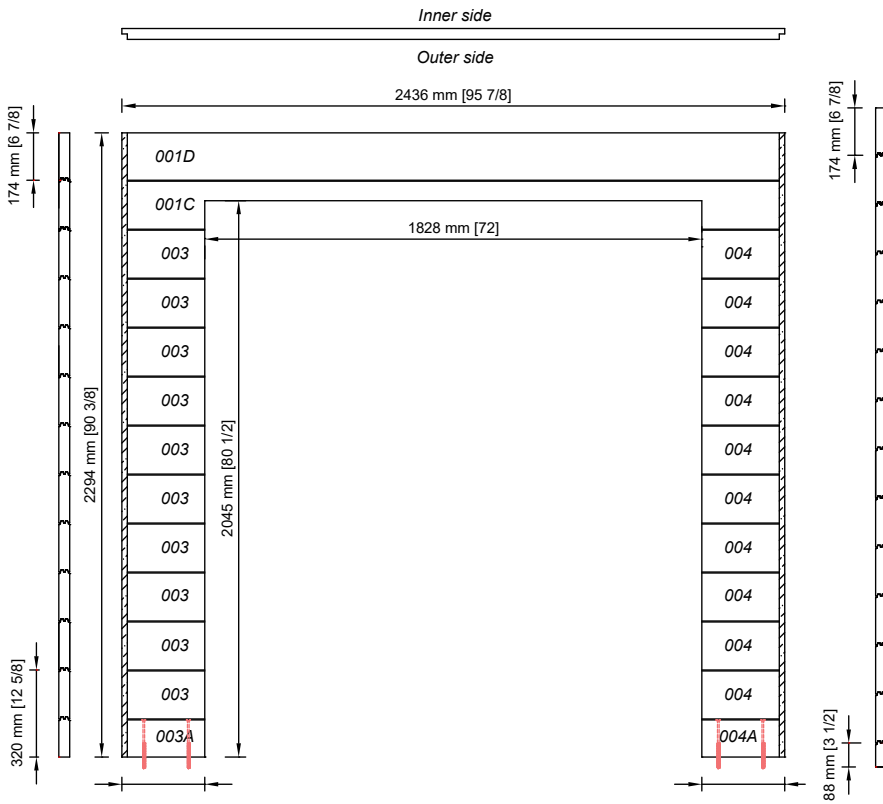
Required Tools:



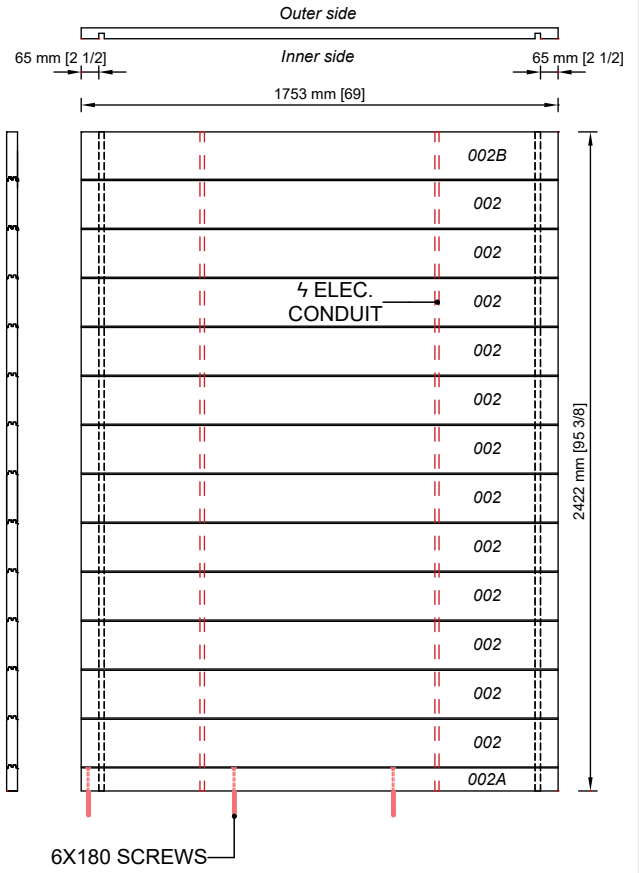
Wall Layout:



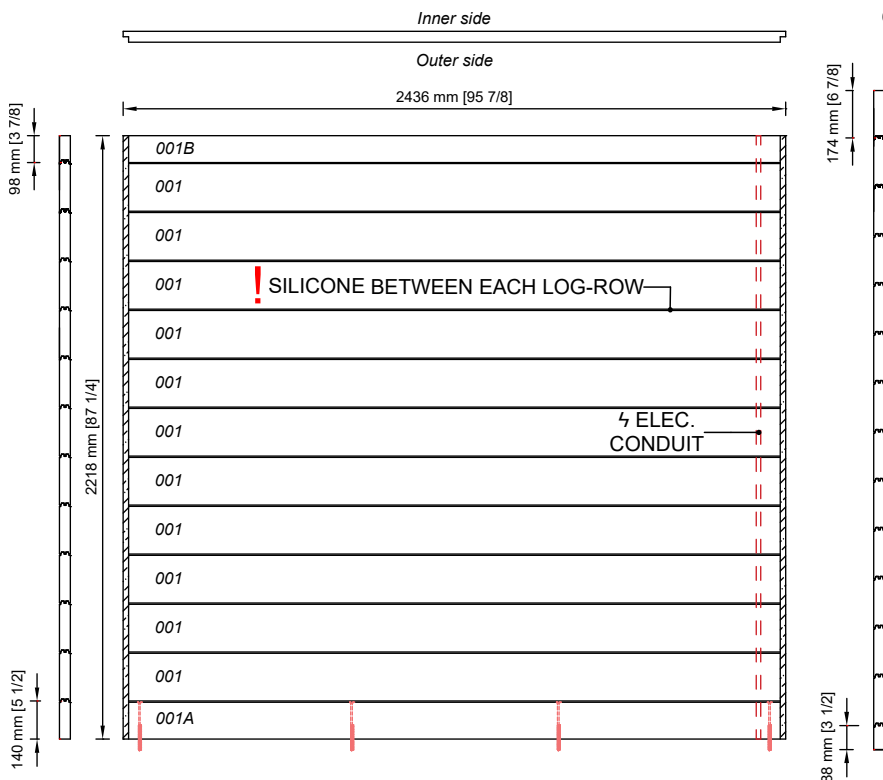
WALL D (FRONT)
VIEW FROM THE OUTSIDE



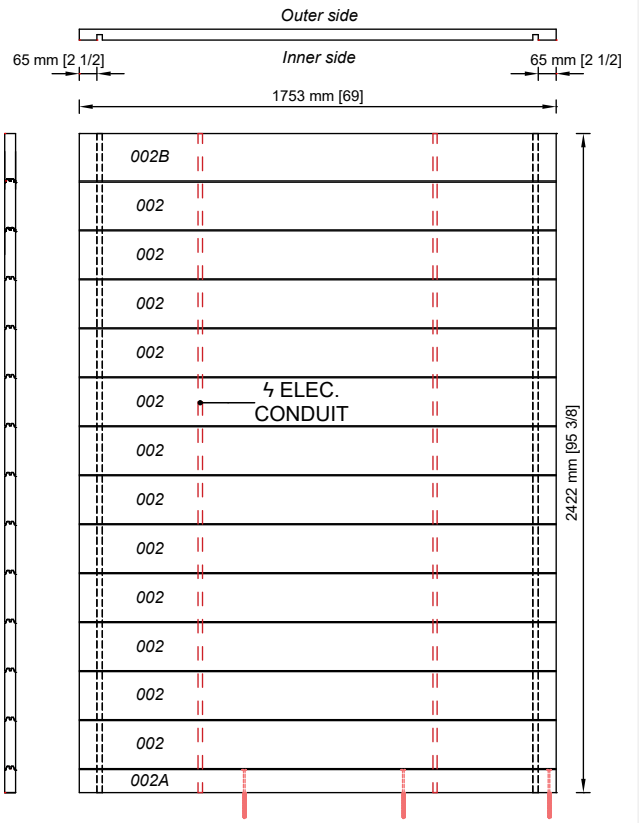
WALL A (LEFT)
VIEW FROM THE OUTSIDE



WALL B (BACK)
VIEW FROM THE OUTSIDE



WALL C (RIGHT)
VIEW FROM THE OUTSIDE

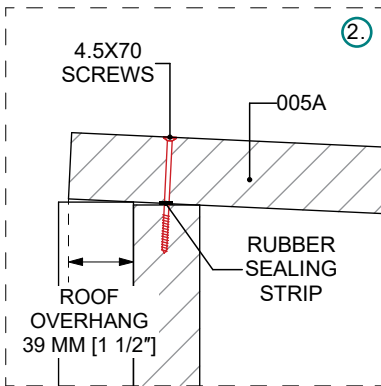


Roof Installation:

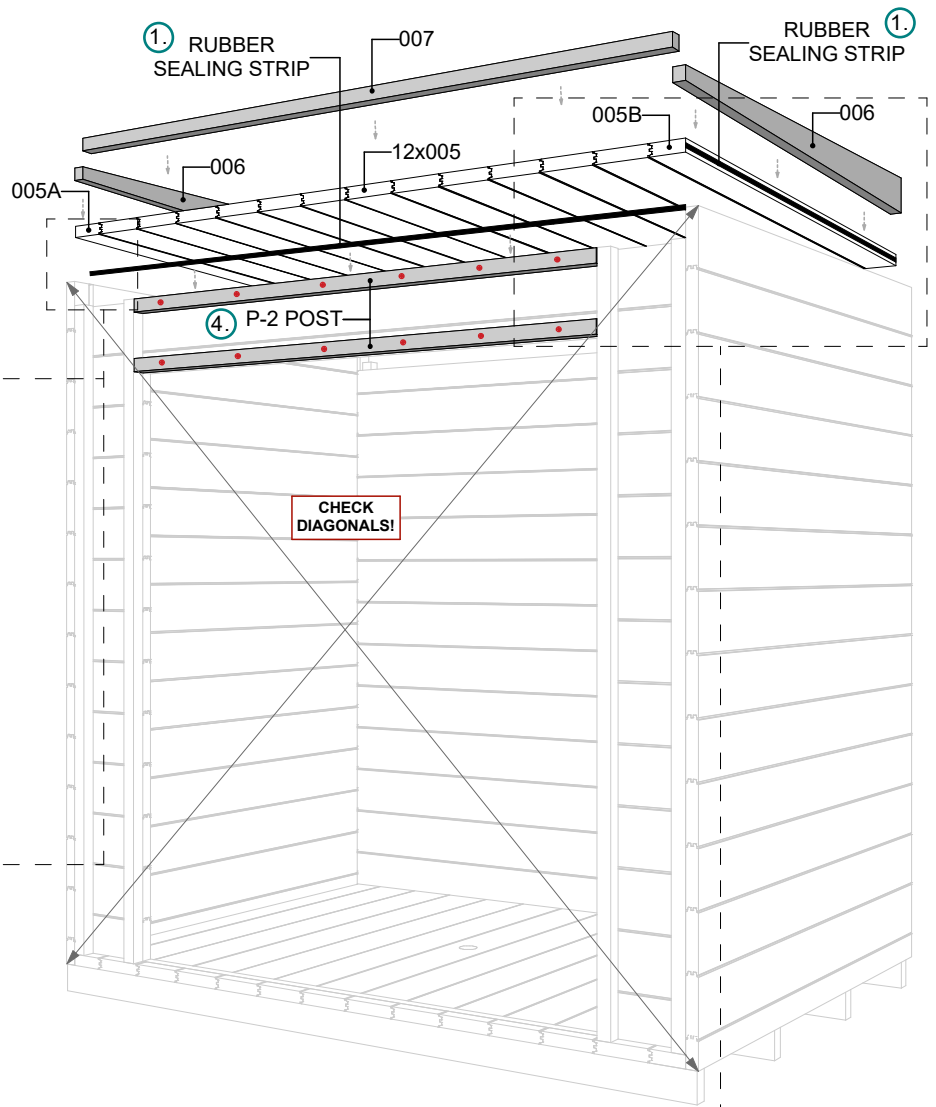
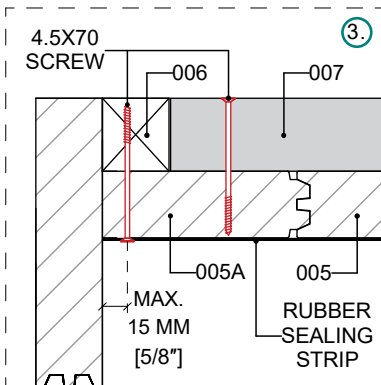
! Before installing roof boards, ensure walls are level and diagonals are equal.

1. Install rubber sealing strips on all contact surfaces.
2. Place roof boards with the front overhang as shown in side view drawing. Fix to front and rear walls using 4.5x70 screws.

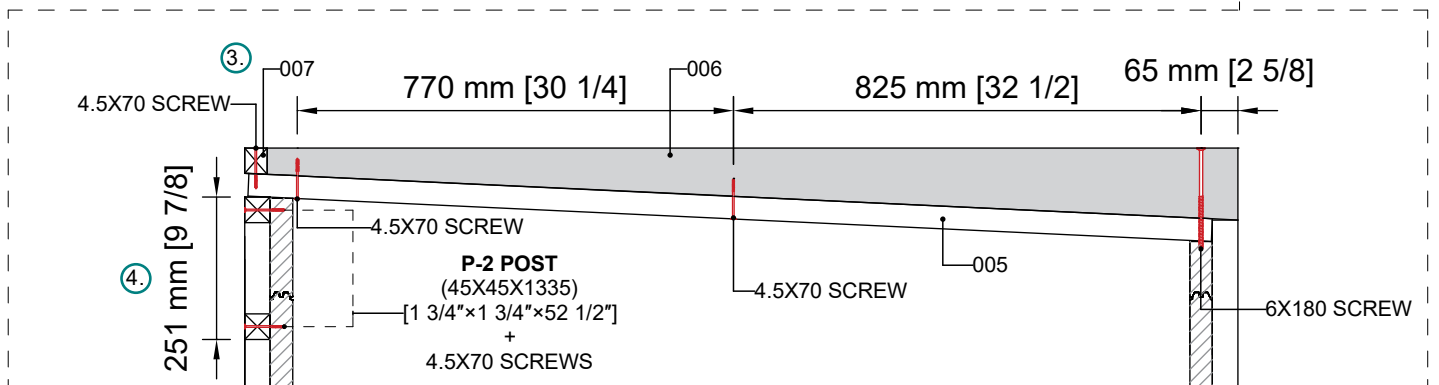
SIDE VIEW:



FRONT VIEW:



CROSS-SECTION:



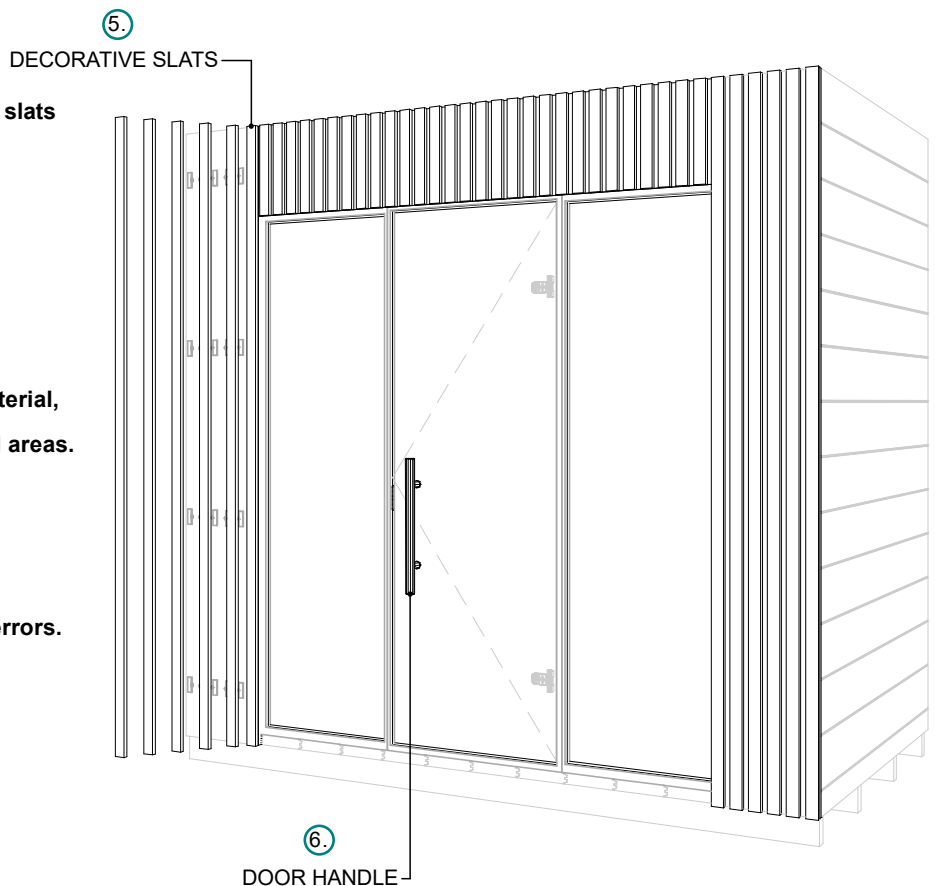
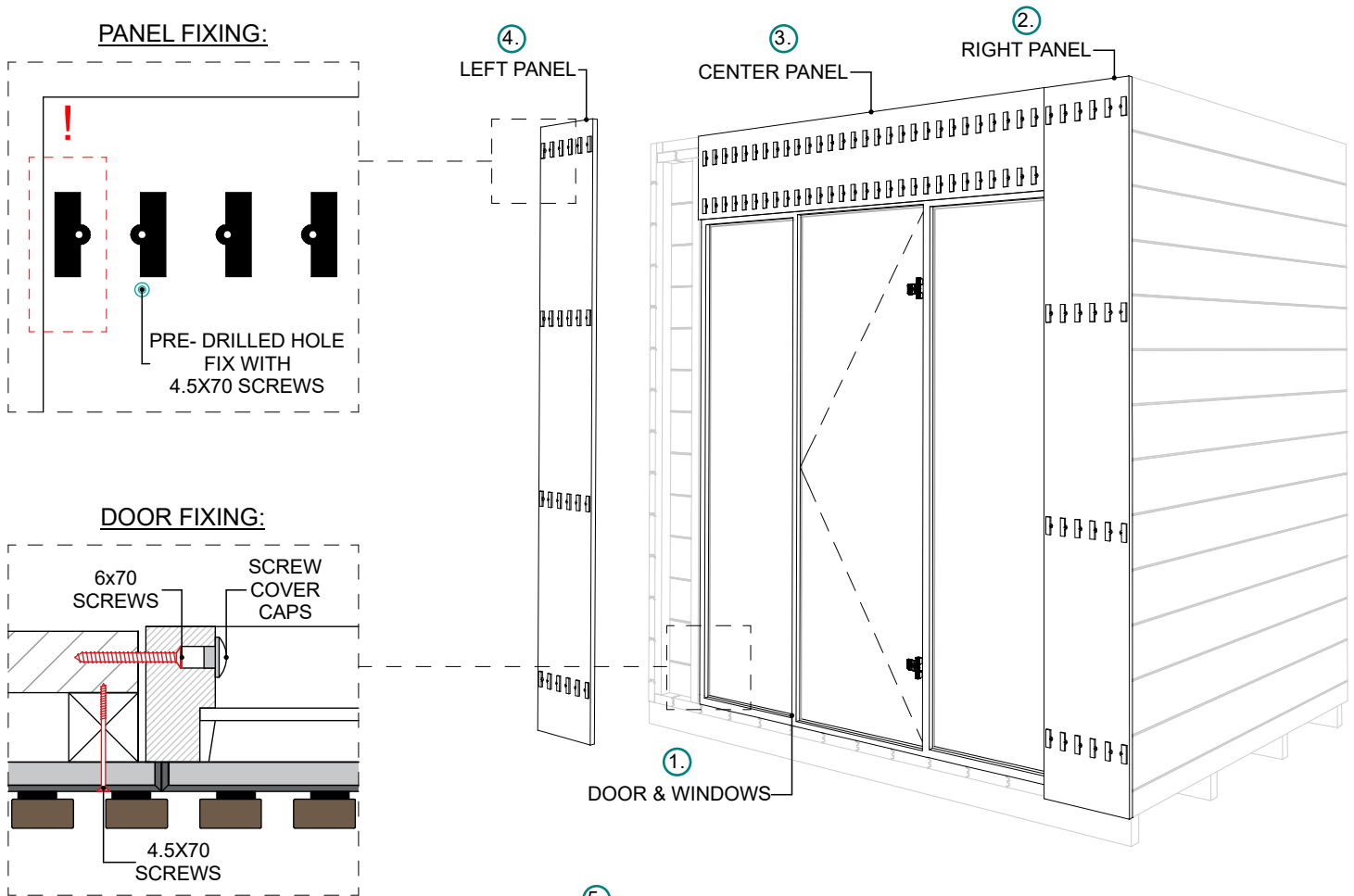
- installation sequence

3. Install roof details 006 and 007 on top and secure them to the roof boards according to drawing.
4. Position the upper P-2 post under the roof overhang and secure with 4.5x70 screws. Space the bottom P-2 post as shown in cross-section drawing.

Required Tools:



Facade Installation



! Apply a suitable finishing coat to the decorative slats before clipping them into place.

! Seal gaps around the door and window with expanding foam, applied using a foam gun.

Allow the foam to fully cure, trim off excess material, and apply moisture barrier tape over the sealed areas.

Snap the decorative slats into place.

They are not designed for removal or reuse.

Extra slats are included in case of installation errors.

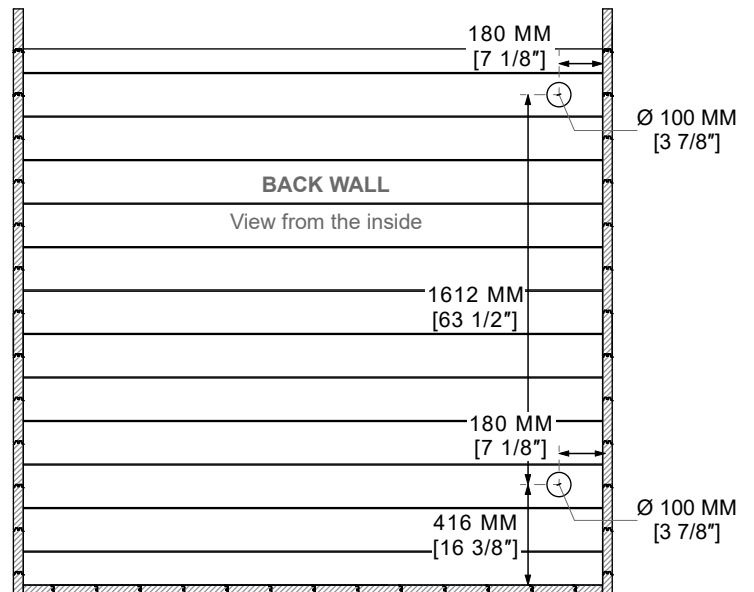
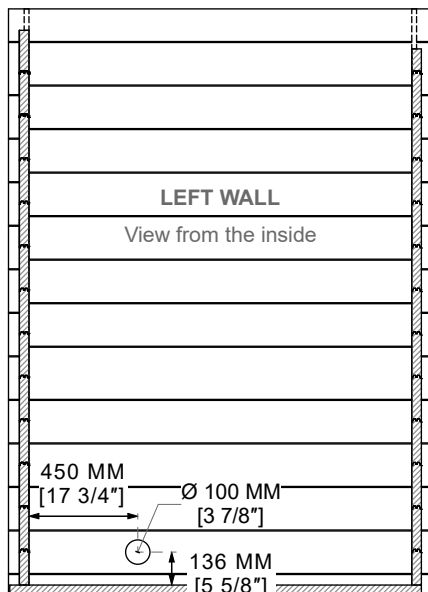
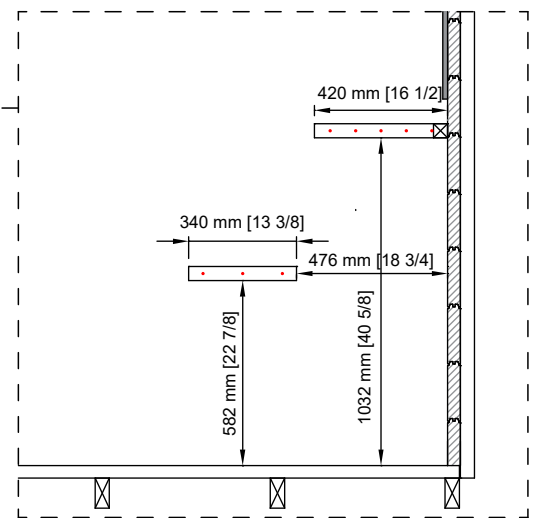
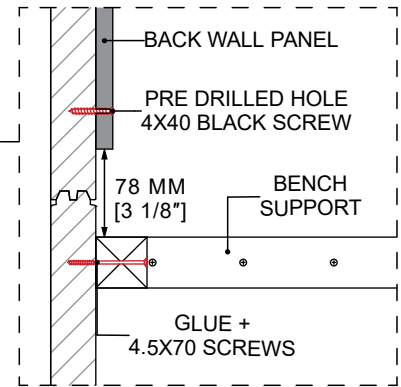
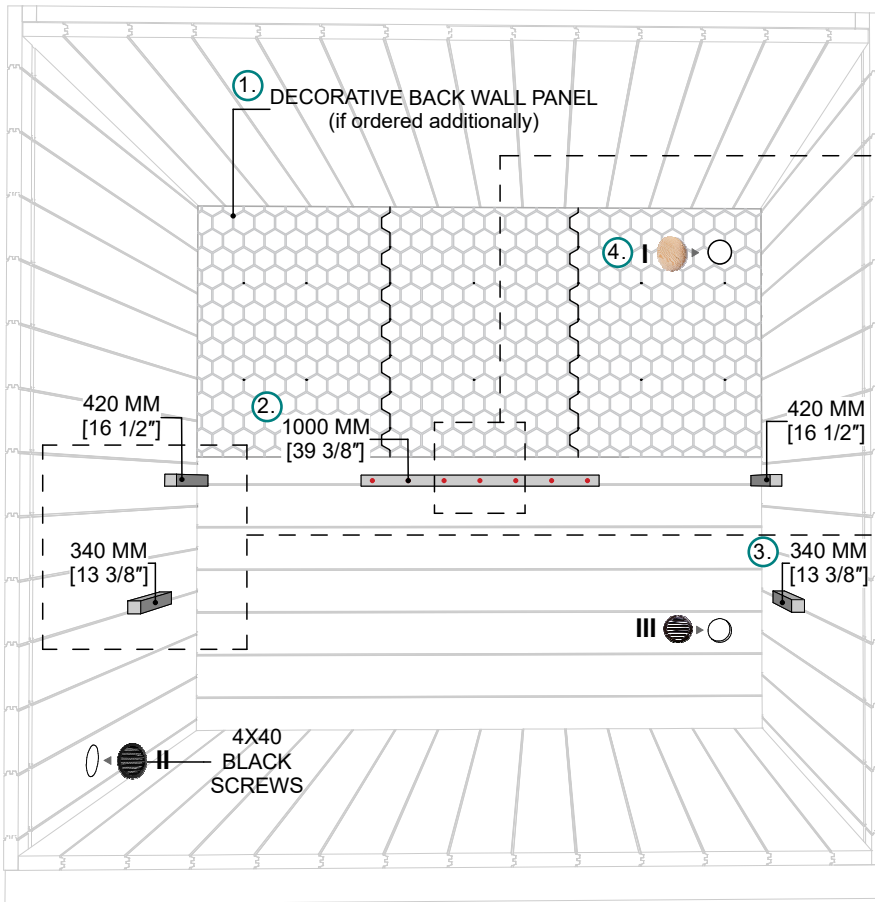
- installation sequence

Required Tools:



Back Wall Panel, Ventilation, Bench Supports

* It is recommended to apply wood glue in addition to screws.



- installation sequence

Required Tools:



Ø100 MM

I – EXHAUST OPENING:

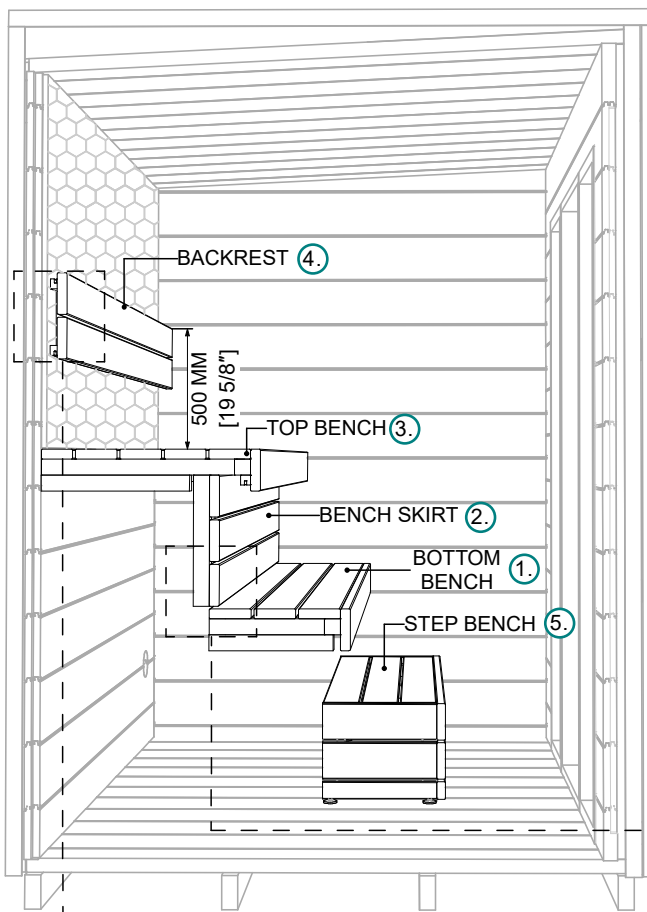
Install the metal grid outside and the wooden valve inside, near the ceiling. Keep the valve closed during sauna use. Open it afterward to release moisture. For faster drying, leave the door slightly open.

Open the valve between sessions if the room feels too humid or lacks air.

II – INLET: Install metal grids both inside and outside with 4x40 black screws.

III – OUTLET: Install also metal grids both inside and outside.

Benches and Moldings



Bottom bench:

Place bottom bench on the supports. Secure from underneath with 2–3 screws (4.5x70 mm). Check for stability.

Bench Skirt and Top Bench:

Position the skirt. Attach the sides to the walls and the center section to the bottom bench using 4x70 mm screws. Place the top bench on the supports and secure from underneath.

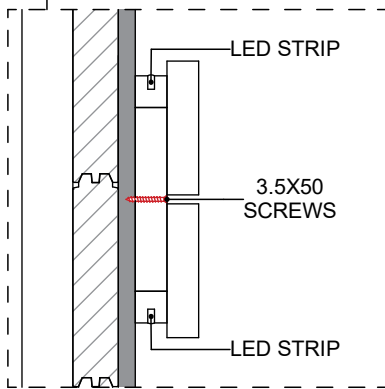
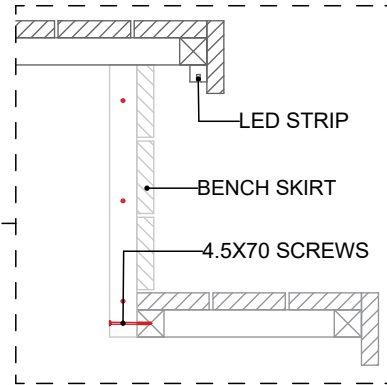
Backrests:

Install above the top bench, approx. 500 mm [19 5/8\"] from the seat surface. Use 3.5x50 mm screws.

LED Strips (if ordered separately):

Install the LED strips into the designated profiles behind the backrest and beneath the top bench. Secure them firmly using glue or silicone.

⚠ All electrical work must be done by a certified electrician.

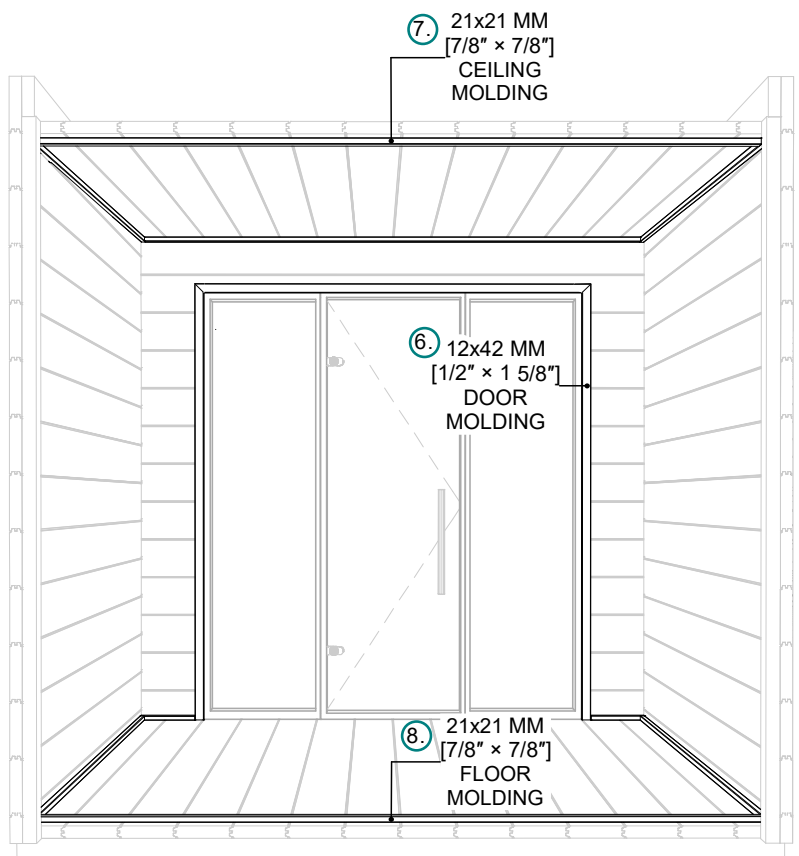


Moldings:

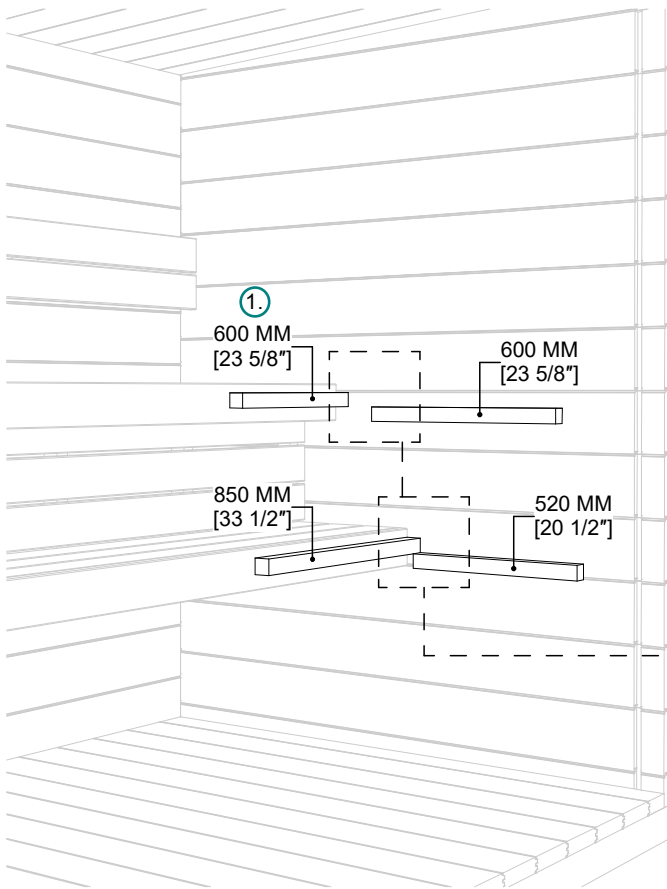
Measure and cut to size.
Trim corners at 45° for a neat joint.
Fix with 40 mm headless nails, spaced evenly.

- installation sequence

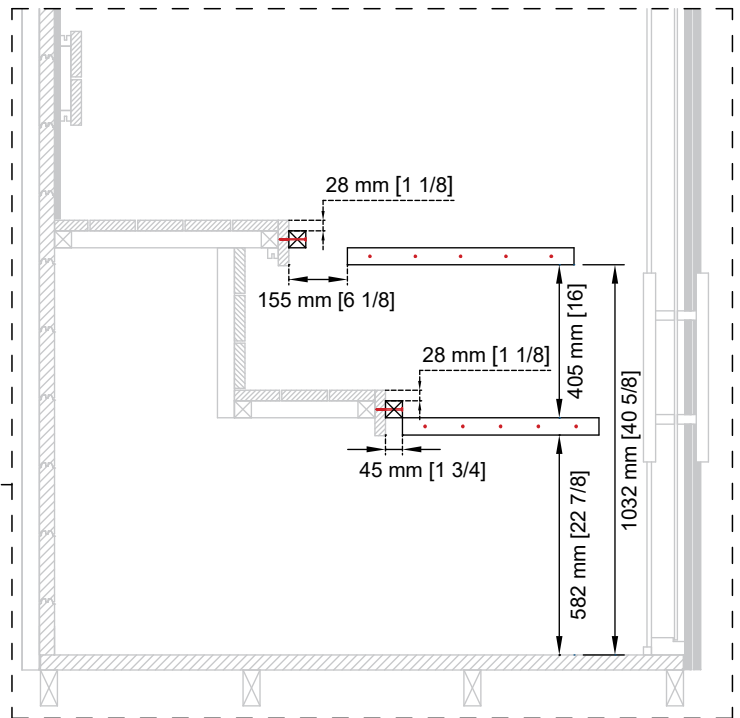
Required Tools:



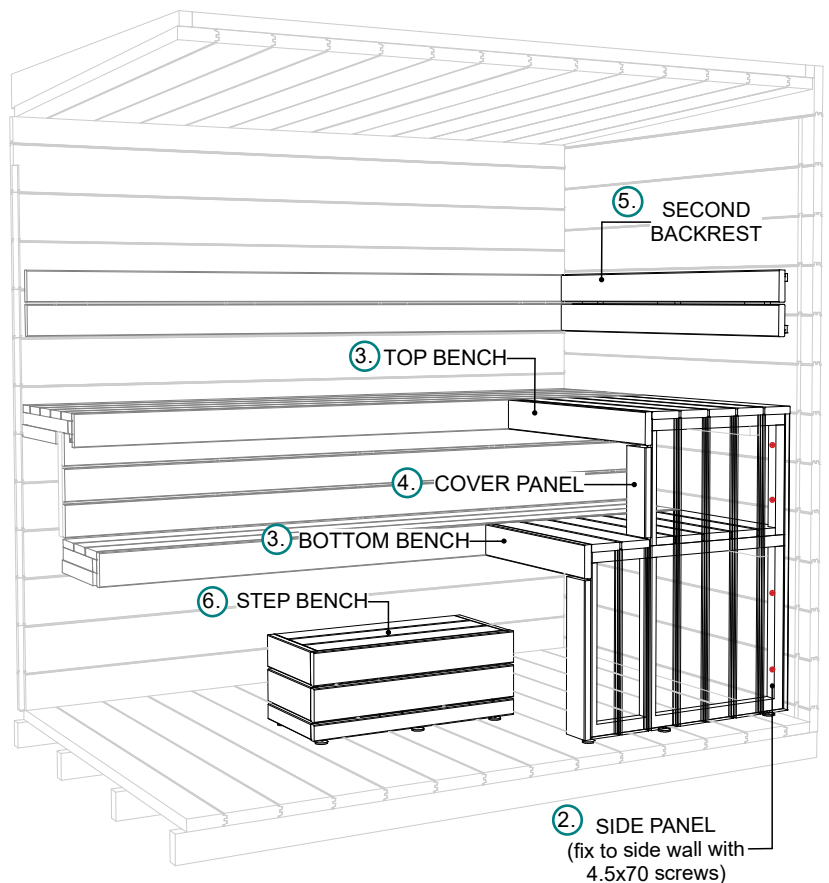
L - Benches (if ordered additionally)



1. Attach supports to the front board of existing benches and the side wall according to the scheme.



2. Measure and fix the side panel through the frame to the wall using 4.5×70 screws.
3. Place the bottom bench and then the top bench on the supports and secure from underneath.
4. Attach the cover panel to the side panel from behind with 4.2×55 screws.
5. Install the second backrest.
6. Set the step bench in place.

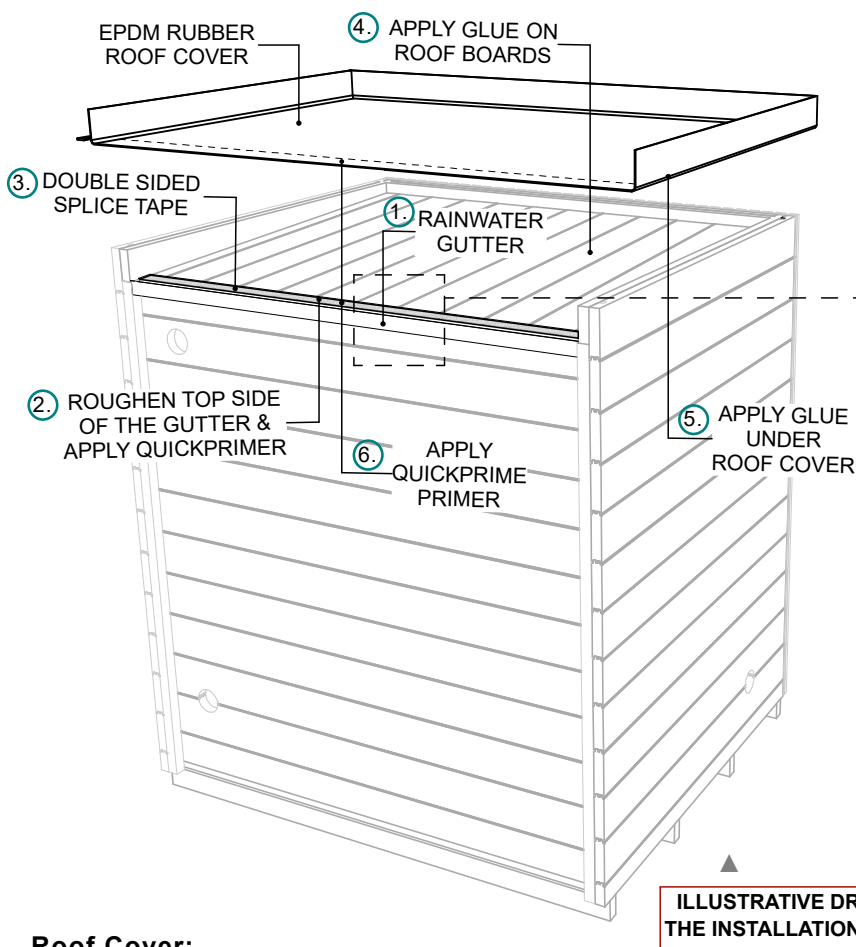


- installation sequence

Required Tools:

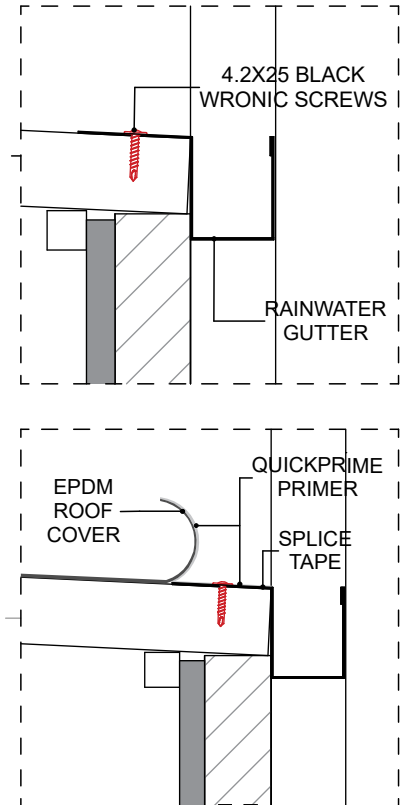


Roof Cover and Rainwater Gutter Installation



Rainwater gutter:

Install the rainwater gutter at the back of the sauna, securing it to the roof boards with 4.2x25 black Wronic screws spaced about 200 mm [7 7/8"] apart.



Roof Cover:

Roughen the top side of the gutter with a sanding pad. Apply EPDM QuickPrime and let it dry. Cut splice tape to length, remove one side of the backing, and stick it to the primed area. Do not remove the top liner yet.

Remove all dirt, dust, debris, water, ice, and fasteners from the roof.
 Check the EPDM roll and packaging for any damage before and during installation.
 Lay the EPDM membrane in place, approx. 5 mm [1/4"] behind and parallel to the gutter.
 Ensure equal overhang on both sides.

Fold back half the membrane. Apply EPDM glue to both the rubber and roof boards, leaving 100 mm [3 7/8"] at the back edge unglued for later taping. Do not glue the rubber where it extends up the side walls.
 Use gloves, goggles, and a respirator in a well-ventilated area.

! Important: Let glue dry to the touch (approx. 15+ minutes) before placing the rubber to avoid bubbles.

Lay glued rubber onto the roof and press down using a broom or brush to remove wrinkles and bubbles. Repeat for the other half.
 Roughen the underside of the rubber at the back. Remove the top liner from the previously applied splice tape. Apply QuickPrime to both surfaces, let it dry, then press rubber onto the tape.

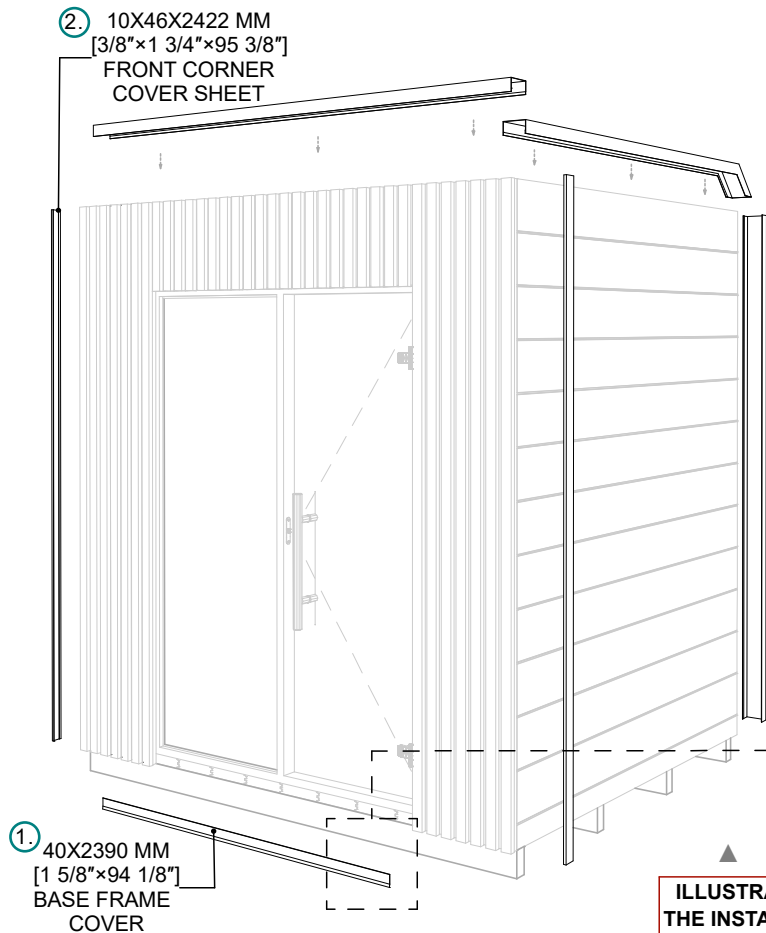
Now glue the rubber up the side walls and cut off any extra material from the front and sides.

Required Tools:

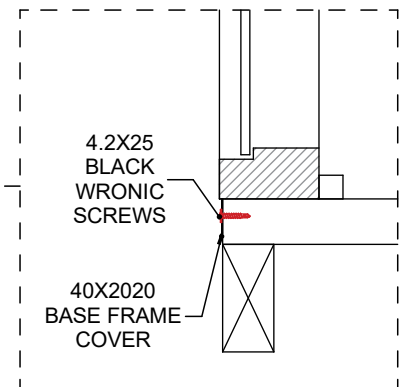


#. - installation sequence

Metal Cover Sheets

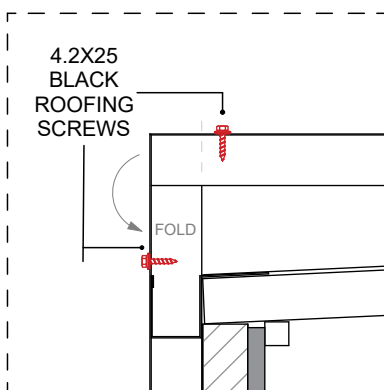
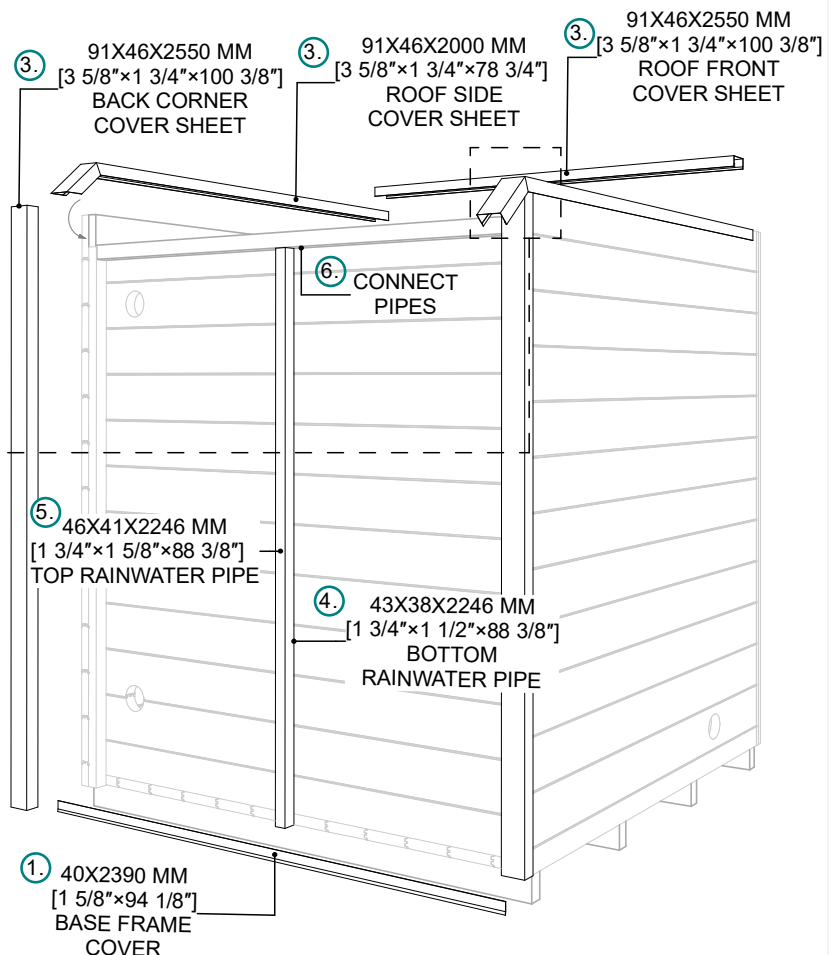


1. Fix the **40x2390 mm [1 5/8" × 94 1/8"]** base frame cover sheets to floor boards with 4.2x24 mm black Wronic screws.
2. Install the **10x46x2422 mm [3/8" × 1 3/4" × 95 3/8"]** front corner cover sheets and bond them to the walls with polymer glue.
3. Secure the **91x46x2550 mm [3 5/8" × 1 3/4" × 100 3/8"]** back corner cover sheets to the rear corners using polymer glue. Install the **91x46x2000 mm [3 5/8" × 1 3/4" × 78 3/4"]** cover sheets along both sides of the roof and then the **91x46x2550 mm [3 5/8" × 1 3/4" × 100 3/8"]** sheet at the front of the roof. Cut to size, fold the edges along the back wall, and secure with 4.8x25 mm roofing screws spaced approximately 300 mm [11 3/4"] apart.



ILLUSTRATIVE DRAWING OF THE INSTALLATION PRINCIPLE

4. Install the bottom section **43x38x2246 mm [1 3/4" × 1 1/2" × 88 3/8"]** of the rainwater pipe at the center of the back wall and secure it with 4.2x42 Wronic screws.
5. Glue the upper section **46x41x2246 mm [1 3/4" × 1 5/8" × 88 3/8"]** on top using polymer glue.
6. Mark the pipe location on the gutter and cut a hole at that spot to allow rainwater to flow into the pipe.



- installation sequence

Required Tools:



Safety Requirements and Maintenance

Safety Requirements

Electrical Safety:

Only a certified electrician should install or service the sauna heater.

Use a properly grounded, sauna-rated power supply. Do not use extension cords or power strips.

Ventilation:

Ensure adequate ventilation to allow fresh air circulation and prevent overheating or humidity buildup.

Proper ventilation ensures a steady flow of fresh air, helps maintain a consistent temperature, removes excess humidity, and prevents mold or wood damage.

Heater Placement & Use:

Keep flammable materials (e.g. towels, paper, clothing) away from the heater.

Never cover the heater or place objects on it.

Follow the manufacturer's guidelines for sauna stone placement.

User Safety:

Limit sauna sessions to 15–20 minutes. Do not exceed recommended temperatures.

Stay hydrated and exit immediately if you feel dizzy, nauseated, or uncomfortable.

Children must be supervised at all times.

Consult a physician before use if pregnant or if you have cardiovascular or other medical conditions.

Fire Safety:

Keep a smoke detector and fire extinguisher nearby (outside the sauna room).

Do not use candles or open flames inside the sauna.

Maintenance Guidelines

Wood Protection (Mandatory)

All wooden components are supplied unfinished and unprotected.

A suitable finishing coat must be applied to all interior and exterior wooden surfaces immediately after installation.

Treat walls, ceiling, benches, backrests, trim, and all visible wood.

Use only sauna-safe, heat-resistant, non-toxic products for interior surfaces.

Apply finish to clean, dry wood according to the product manufacturer's instructions.

Reapply as required depending on usage and environmental conditions.

Failure to apply proper protection may result in premature wood deterioration and may void the warranty.

After Each Use

Leave the door open to allow moisture to escape and ensure proper air circulation.

Wipe benches and walls with a damp cloth to remove sweat and residue.

Remove any water from the floor to prevent standing moisture.

Maintenance

Inspect the heater and stones for cracks or displacement. Replace sauna stones if cracked or crumbling.

Clean the floor to remove dirt and debris.

Ensure ventilation openings remain unobstructed.

Check for signs of mold or mildew; clean with a mild, sauna-safe disinfectant if necessary.

Tighten screws, fasteners, and fittings if loosened.

Inspect wood surfaces for dryness or splintering; lightly sand or re-oil if required using appropriate products.

Have a licensed technician inspect electrical components and heater performance.

General Care Instructions

Use towels on benches to reduce sweat absorption and protect wood surfaces.

Clean periodically with mild soap and water only. Do not use harsh, abrasive, or chemical cleaners.

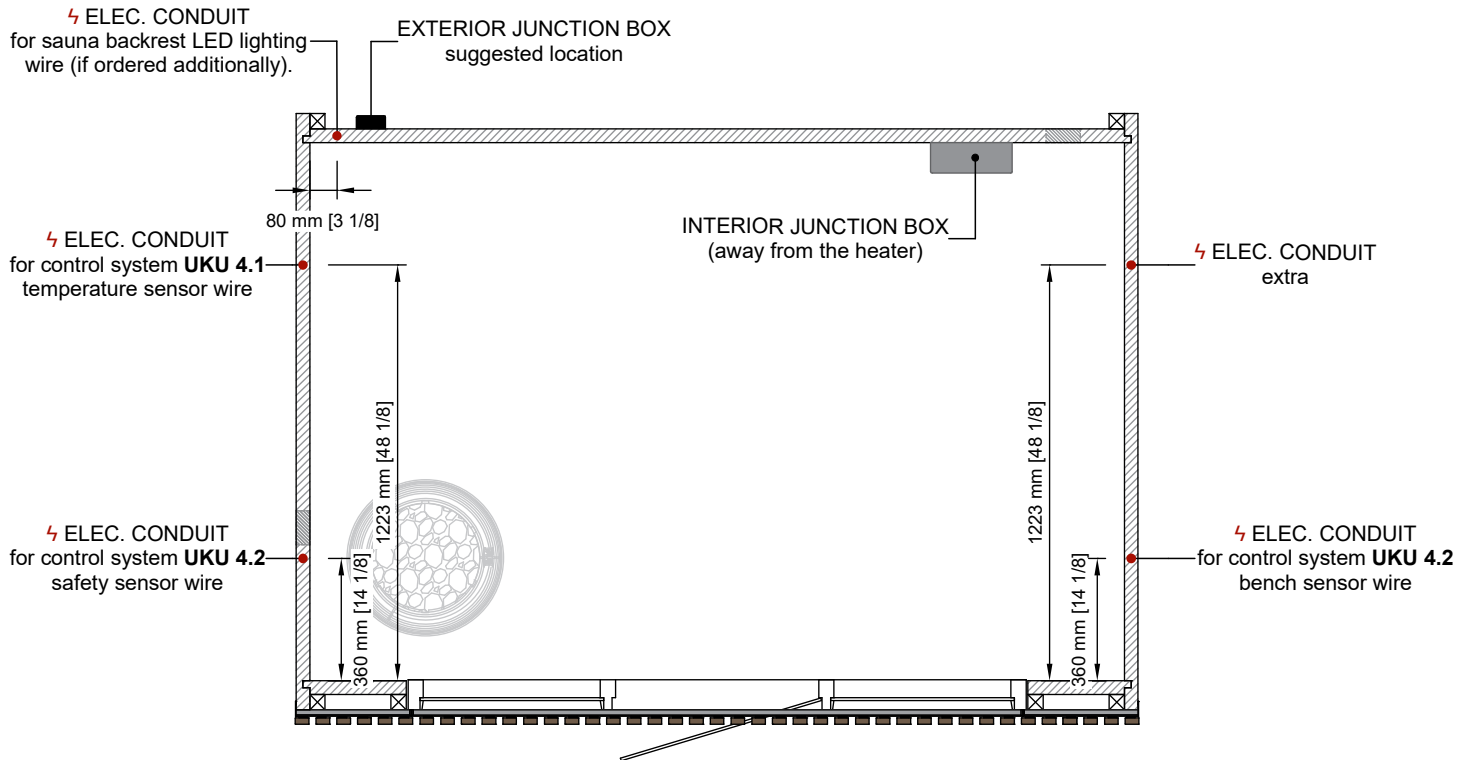
Prevent standing water inside the sauna at all times.

Re-oil or lightly sand wooden surfaces if they become dry or splintered (only with appropriate products).

Non-compliance with these maintenance requirements may result in damage that is excluded from warranty coverage and may lead to the limitation or voiding of the manufacturer's warranty.

Electrical Wiring with HUUM Electric Sauna Heater

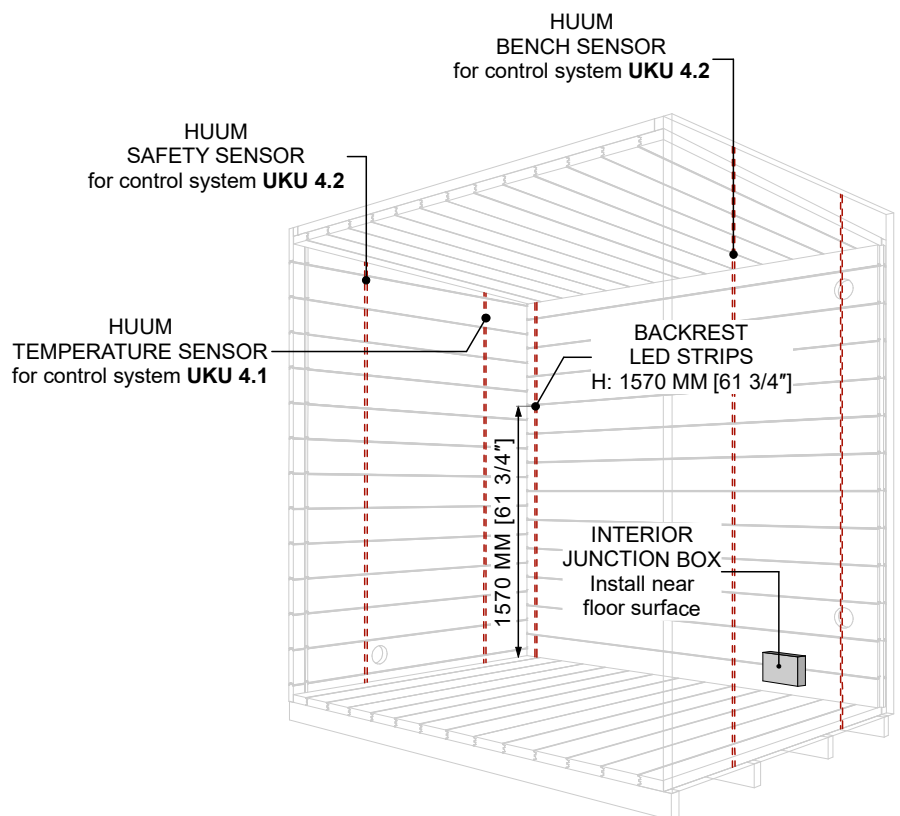
! Refer to the heater manufacturer's installation manual (supplied with the heater) for correct sensor installation heights.



Drill holes at indicated heights at conduit locations.

Route wires through conduits to the junction box.

⚠ All electrical connections must be performed by a certified professional.



Required Tools:



Ø16 MM [5/8"]